

**CODE NUMBER**

24501404

**DESCRIPTION**

ST-2459 Water Closet and GEM-2 111 SFSM Flushometer.

**COMPONENTS**

- Flushometer: Code 3070065
- Water Closet: Code 2102459

**DETAILS**

- Flush Volume: 1.28 gpf (4.8 Lpf)
- Nominal Dimensions: 26 ¾" x 15" x 13 ¼" (679 x 381 x 337mm)

**FLUSHOMETER FEATURES**

- Fixed Volume Piston with Filtered O-ring Bypass
- "Low Battery" Flashing LED
- "User in View" Flashing LED
- No External Volume Adjustment to Ensure Water Conservation
- True Mechanical Override Flush Button
- 72-Hour Sentinel Flush
- Sweat Solder Adapter w/Cover Tube and Cast Wall Flange with Set Screw
- Packing, Stop Seat and Vacuum Breaker Molded from PERMEX® Rubber Compound fChloramine resistance
- Four (4) Size C Alkaline Batteries included
- 1" I.P.S. Screwdriver Bak-Chek® Angle Stop with Free Spinning Vandal Resistant Stop Cap

**FIXTURE FEATURES**

- White Vitreous China
- Elongated bowl
- Wall mounted, wall outlet
- Siphon jet flushing action achieves 1000g Map score when used with any Sloan flushometer
- Static load rating of 750 lbs (see Notes)
- Water spot area: 10⅞" x 9⅜" (26 cm x 24 cm)
- 1½" I.P.S. top spud inlet
- 2⅜" fully glazed trapway
- Closet bolts and caps included
- Toilet seat not included
- Static load rating of 750 lbs. (See Notes)



**COMPLIANCES & CERTIFICATIONS**



(ADA Compliant, cUPC Certified, BAA Compliant, CEC Compliant, CalGreen Compliant, Satisfies LEED Credits, WaterSense Listed)

**DOWNLOADS**

- [GEM/GEM 2 Piston Type Exposed Installation Instructions](#)
- [EBV-500/550-A Installation Instructions](#)
- [HET Wall Hung Installation Instructions](#)
- [EBV500/EBV550 Repair and Maintenance Guide](#)
- [SS/ST/SU/WETS/WEUS Fixtures Repair and Maintenance Guide](#)
- [Additional Downloads](#)

**NOTES**

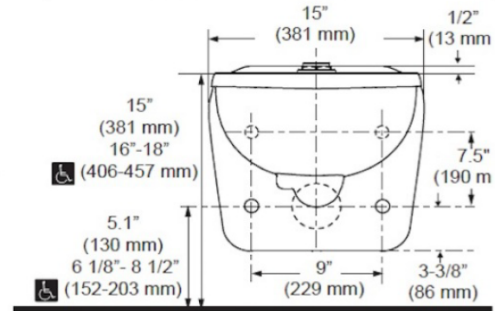
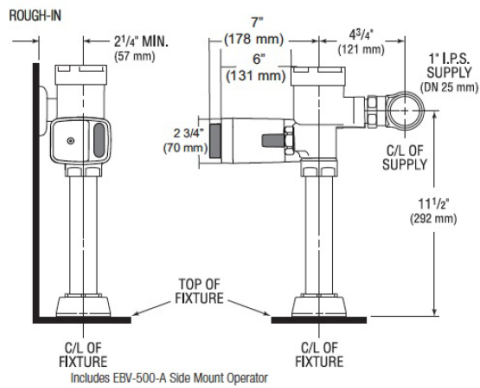
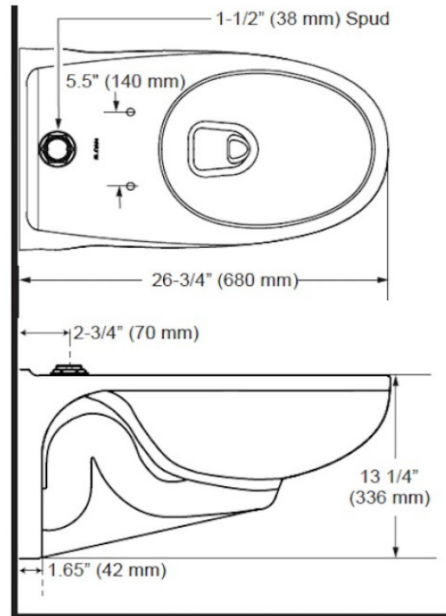
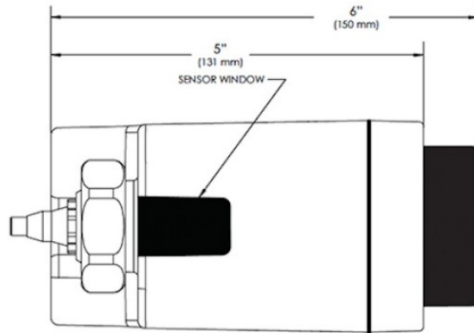
All information contained within this document subject to change without notice.

Static load tested according to the procedure outlined in Section 6.7 of ASME A112.19.2. Not recommended for bariatric use.

**Sloan 10500 Seymour Ave, Franklin Park, IL 60131**

Phone: 800.982.5839 • Fax: 800.447.8329 • [sloan.com](http://sloan.com)

**ROUGH-IN**



**Sloan 10500 Seymour Ave, Franklin Park, IL 60131**  
Phone: 800.982.5839 • Fax: 800.447.8329 • [sloan.com](http://sloan.com)